

SUPERNOVA

THUMB RELEASE

By Tico



Thank You for purchasing our brand new product. The SUPERNOVA Thumb Release!

Developed by the world class archer Roberval dos Santos (A.K.A. Tico), with over 25 years of international competitions experience.

The SUPERNOVA Thumb Release is adjustable for both travel and the pressure of the trigger, and several trigger positioning capabilities.

INSTRUCTIONS:

To adjust the travel of trigger, loosen the locking screw on the side (1) using the provided small Allen wrench (0.050"). Using the medium Allen wrench (5/64"), turn the screw (2) clockwise to decrease, or turn counter-clockwise to increase the travel of the trigger.

To adjust the trigger pressure, loosen the screw on the side (3) using the provided small Allen wrench (0.050"). Using the medium size Allen wrench (5/64"), turn the screw (4) clockwise to increase, or turn counter clockwise to decrease the pressure on the trigger.

The thumb barrel (5) can be positioned as of your preference. To do so, use the provided large Allen wrench (3/32") to loose the screw (6) and position it as desired, rotating the excentric piece to adjust the high of the knob. The thumb knob can also be rotated to use the knurled or it's sharpen edge. To do so, loose the screw (7) and turn the knob as desired.

TRAINING BLOCKING PIN:

The SUPERNOVA Release can be used for training without shooting an arrow. To do so, use the blocking pin:

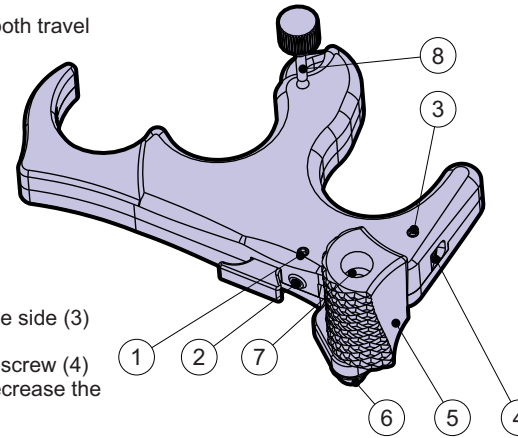
First of all, attach the release to your bow's D'loop and then insert the blocking pin into the hole as in the picture (8).

Once the pin is inserted, the trigger can be activated without the release of the string, allowing the simulation training.

It's recommended to choose which side to mount the blocking pin so it doesn't touch the archer's face when anchoring.

It's also recommended to use an arrow when training with the blocking pin, so if an equipment fail may occur, you will not dry fire your bow. And always draw your bow to a safe direction, even with the blocking pin.

NOTE: Never draw your bow pointing high or at a high angle to avoid miss shooting to long distances.



PARTS LIST:

- 1 - Allen set screw #4-40 x 1/4" (1x)
- 2 - Allen set screw 5/32" x 1/4" (1x)
- 3 - Allen set screw #4-40 x 1/4" (1x)
- 4 - Allen set screw 5/32" x 3/8" (1x)
- 5 - Thumb Barrell (1x)
- 6 - Allen Socket Head Screw 1/8" x 3/8" (1x)
- 7 - Allen Socket Head Screw 1/8" x 3/4" (1x)
- 8 - Blocking Pin (1x)
- 9 - Trigger (1x)
- 10 - Cocker (1x)
- 11 - Allen Socket Head Screw #4-40 x 5/16" (4x)
- 12 - Hook (1x)
- 13 - Hook Spring (1x)
- 14 - Trigger Spring (1x)
- 15 - Cocker Spring (1x)
- 16 - Small inner pin (1x)
- 17 - Inner pins (4x)
- 18 - Washer 1/8" (1x)
- 19 - Excentric (1x)

- Allen Wrench - small 0.050" (1x)
- Allen Wrench - medium 5/64" (1x)
- Allen Wrench - large 3/32" (1x)

